

# 14133 Powder Wheeled Fire Extinguisher kg 25

Approved EN 1866-1:2008, Marina MED, highest rate achieved - A IVB C



CSI Certificate  
 MED/0497/126/09



Organic solid materials,  
 wood rubber, textiles etc.



Flammable liquids,  
 gasoline, oil etc.



Flammable gases,  
 methane, propane.

### According directive 96/98/EC, EN 1866 and with CE-mark

The wheeled fire extinguisher is manufactured according to Directive 96/98/EC (MED) with modules B and D. As with portable extinguishers, wheeled units also have to comply with high standards to ensure their extinguishing capability (fire rating), quality and reliability. We at a.b.s. know how important it is to make the right choice in fire fighting. Recently, a new European standard for wheeled extinguishers, EN 1866, was introduced. The a.b.s. wheeled extinguisher range, has been the first in Europe to comply with this standard.

The wheeled units also carry the CE mark so the range can boast three quality guarantees :a.b.s. (ISO 9001), compliance with EN 1866 and the CE mark.

The standard EN1866 defines important minimum levels of pressure retention, corrosion protection, operating temperatures and fire rating.

### Technical Characteristics

Wheeled extinguisher is designed for professional use under severe circumstances, resulting in a high level of quality and ease of use.

The cylinder, CE marked, it has the welded frame or detachable frame.

Ease of mobility is achieved as a result of the large wheels with solid rubber tyres and push bar also ensuring good stability during operation.

### 2" Lever valve

The valve is made in brass (STCW617N) and it passed all the requirements of the directive 97/23/EC.

There is a safety device at 22 bar. There is a green safety seal to improve the optical check from far.

Only a simple glance is enough to check if the extinguisher has been tampered.

### Pressure gauge

Pressure gauge is brass, the thread is M10x1 with o-ring for easy unscrew to check the real internal pressure any time without need of tools.

If the indicator is in the green field, the extinguisher is ready to be used. If the indicator is in the red field, call immediately the authorized service staff.

### Discharge device

Equipped with a highly flexible hose made in EPDM rubber with an excellent resistance manufactured from selected synthetic materials complete with a pistol.

The specially designed ergonomic patented pistol ensures a steady flow of powder with a very low drop in pressure.

### Extinguishing agent

Dry chemical powder German is produced according to EN 615 and ISO 9000 quality control.

The basic components of dry powder are ammonium phosphate and ammonium sulphate with special silicone additives enabling easy discharge and avoiding any caking process.

Dry powder is non-corrosive, non-abrasive, and is non toxic for humans and animals.



Permanent stored pressure

### ON REQUEST

Discharge pistol with 3/8" swivel coupling.

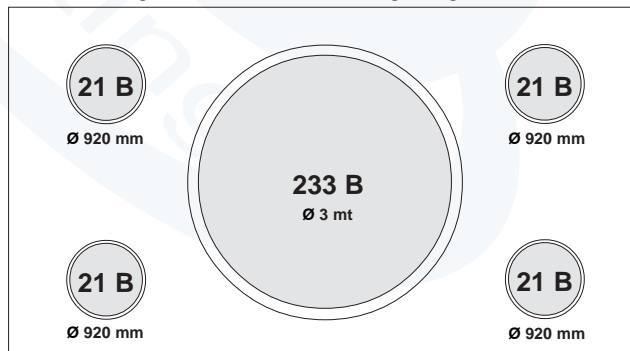


### Advantages.

- Very mobile and easy to operate
- Excellent quality, therefore a long operational lifetime
- Good ergonomics, easy to drive
- Extremely high ratings on A, B and C class fires (solid combustibles, liquid fuels and gases)
- Can be used at low temperatures (-30°C)
- Easy to service
- First in Europe in accordance with the new EN 1866 standards
- With CE approval
- Other dry powder types available (BC, Monnex)

### - Test method and result -

The 233B tray has been used and four 21B trays have been installed alongside, as from the following design.



The propellant used has been heptane.

Two fire tests have been performed, with extinction time of respectively 9 and 10 seconds; the test result was positive.

Classification obtained: - **EN 1866 - 233 IV B** - the highest.

**Technical specifications**

Cylinder "Ø"..... : **245 mm +0 -15 mm**  
Material..... : **DD12 UNI EN 10111**  
Operating pressure..... : **14 bar at 20°C**  
Test pressure according 97/23/EC..... : **30 bar**  
Burst pressure..... : **>55 bar**  
Temperature range..... : **-30°C +60°C**  
Extinguishing agent..... : **Powder MAP ABC 30**  
Propellant..... : **nitrogen or dry air**

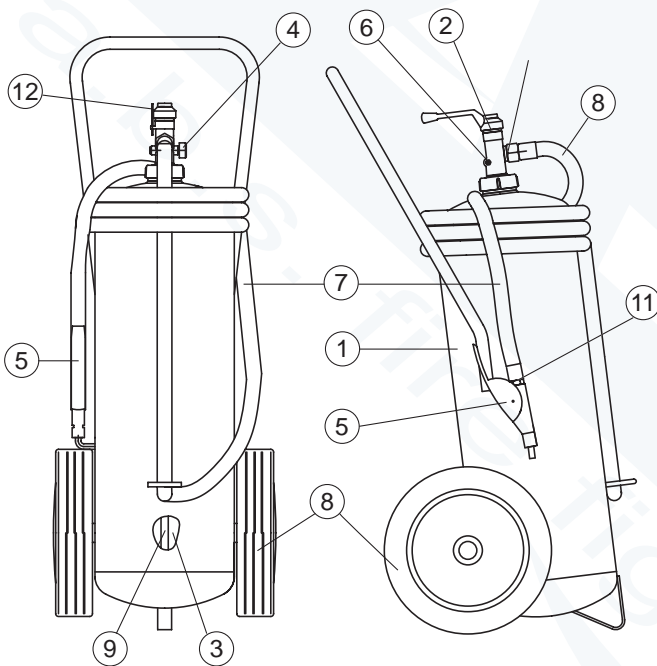
Nominal charge..... : **25 Kg**  
Discharge time ~..... : **25 sec**  
Jet lenght ~..... : **11 m**  
**Dimensions**  
Height ~..... : **1020 mm**  
Width ~..... : **430 mm**  
Depth ~..... : **535 mm**  
Weight ~..... : **55 kg**

**Complete replacement spare parts**

**31302\_3 Including:**

Powder ABC, O-ring 2", washer rings, safety seal.

The SOLAS Convention Chapter II-2 part C **lays the obligation** of the provision of replacement spare change for the 100% for the first 10 extinguishers installed, while the remaining fire extinguishers are needed the 50% of the replacement spare. The maximum quantity of refills shown are 60.



**Spare part list**

Pos.	Description	Code	Q.ty
1	Cylinder (33 lt) <b>on request Stainless steel!</b>	27702	1
2	Lever valve brass	21820	1
3	Siphon tube PVC	21711	1
4	Manometer M10x1 Ø 27 mm brass	21521	1
5	Discharge pistol	21035	1
6	Safety device (in 3 pieces)	21083	1
7	Discharge hose L 5 mt	20640	1
	<b>On request hose L 10 mt</b>	20640_1	
8	Wheel Ø 300 mm	21931	2
9	Powder ABC MAP 30%	31230	25
10	Washer ring fibre 3/4 Ø 24x15,2x2	20021	1
11	O-ring Ø 2,62x13,1x18,34	21055	1
12	Safety pin	21089	1

**Detachable frame**  
No welding on the cylinder ensure better and higher safety.



**Welded frame.**  
The axe and carrying handle are welded on the cylinder body.



The family 14133 include more than one type of version.  
14133\_1 - Detachable frame  
**In accordance** with the Directive 96/98/EC by the SOLAS 74 convention, resolutions and circulars of the IMO, EN 1866-1:2007 on the Annex A.1/3.52 Directive 2008/67/CE of the certificate and Notified by CSI SpA - No 0497.

The use of non original spare parts may cause malfunctions loss

**Maintenance and Guarantee**

Maintenance must be made periodically by, trained and certified staff, according to the local regulations of the country where it is located. The extinguisher is guaranteed for 12 months from the date of the supply. The guarantee includes, repairing or replacement, as manufacturer option. Unit must be sent back to the factory free of charge, only when authorized written agreement with our sales office has been reached. The guarantee expires in case of tampering and bad maintenance made by not-authorized staff, or transport damages. It must be recharged only by staff authorized and certified by **a.b.s. S.r.l.**, use only genuine original spare parts.



# 14164 Powder Wheeled Fire Extinguisher kg 50

Approved EN 1866-1:2008, Marina MED, highest rate achieved - A IVB C



CSI Certificate  
MED/0497/129/09



Organic solid materials,  
wood rubber, textiles etc.



Flammable liquids,  
gasoline, oil etc.



Flammable gases,  
methane, propane.

### According directive 96/98/EC, EN 1866 and with CE-mark

The wheeled fire extinguisher is manufactured according to Directive 96/98/EC (MED) with modules B and D. As with portable extinguishers, wheeled units also have to comply with high standards to ensure their extinguishing capability (fire rating), quality and reliability.

We at a.b.s. know how important it is to make the right choice in fire fighting.

Recently, a new European standard for wheeled extinguishers, EN 1866, was introduced.

The a.b.s. wheeled extinguisher range, has been the first in Europe to comply with this standard.

The wheeled units also carry the CE mark so the range can boast three quality guarantees :a.b.s. (ISO 9001), compliance with EN 1866 and the CE mark.

The standard EN1866 defines important minimum levels of pressure retention, corrosion protection, operating temperatures and fire rating.

### Technical Characteristics

Wheeled extinguisher is designed for professional use under severe circumstances, resulting in a high level of quality and ease of use.

The cylinder, CE marked, it has the welded frame or detachable frame.

Ease of mobility is achieved as a result of the large wheels with solid rubber tyres and push bar also ensuring good stability during operation.

### 2" Lever valve

The valve is made in brass (STCW617N) and it passed all the requirements of the directive 97/23/EC.

There is a safety device at 22 bar. There is a green safety seal to improve the optical check from far.

Only a simple glance is enough to check if the extinguisher has been tampered.

### Pressure gauge

Pressure gauge is brass galvanized the thread is M10x1 with o-ring for easy unscrew to check the real internal pressure any time without need of tools.

If the indicator is in the green field, the extinguisher is ready to be used. If the indicator is in the red field, call immediately the authorized service staff.

### Discharge device

Equipped with a highly flexible hose made in EPDM rubber with an excellent resistance manufactured from selected synthetic materials complete with a pistol.

The specially designed ergonomic patented pistol ensures a steady flow of powder with a very low drop in pressure.

### Extinguishing agent

Dry chemical powder German is produced according to EN 615 and ISO 9000 quality control.

The basic components of dry powder are ammonium phosphate and ammonium sulphate with special silicone additives enabling easy discharge and avoiding any caking process.

Dry powder is non-corrosive, non-abrasive, and is non toxic for humans and animals.

Permanent stored pressure



**Swivel coupling**  
It allows easy unrolling of the hose avoiding twisting



**ON REQUEST**

Cod. 21038\_2

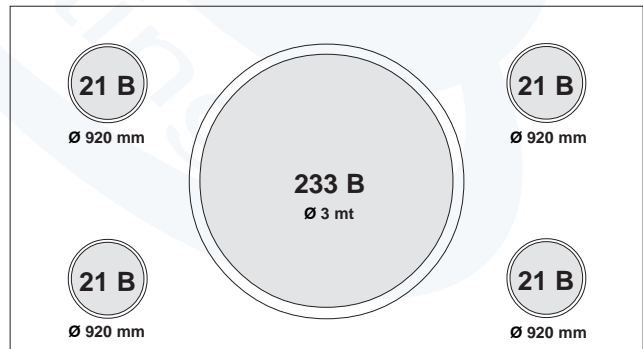


### Advantages

- Very mobile and easy to operate
- Excellent quality, therefore a long operational lifetime
- Good ergonomics, easy to drive
- Extremely high ratings on A, B and C class fires (solid combustibles, liquid fuels and gases)
- Can be used at low temperatures (-30°C)
- Easy to service
- First in Europe in accordance with the new EN 1866 standards
- With CE approval
- Other dry powder types available (BC, Monnex)

### - Test method and result -

The 233B tray has been used and four 21B trays have been installed alongside, as from the following design.



The propellant used has been heptane.

Two fire tests have been performed, with extinction time of respectively 9 and 10 seconds; the test result was positive.

Classification obtained: - **EN 1866 - 233 IV B** - the highest.

**Technical specifications**

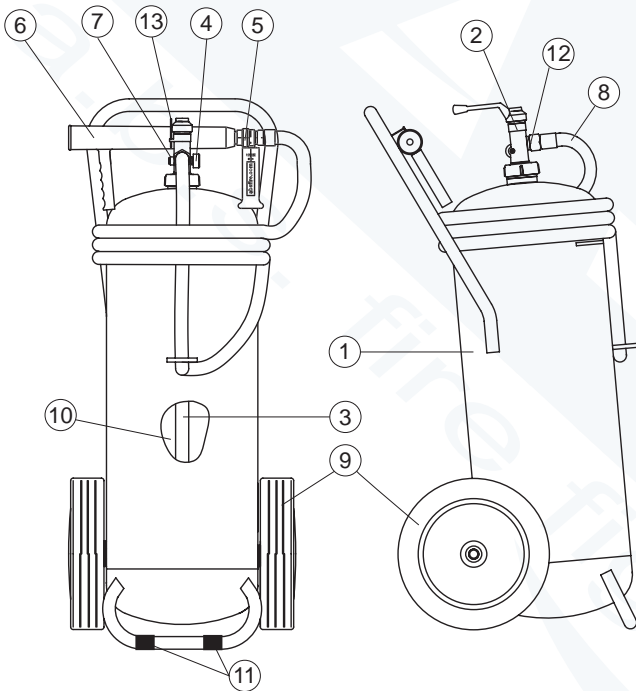
Cylinder "Ø".....	: 300 mm	Nominal charge.....	: 50 Kg
Material.....	: DD12 UNI EN 10111	Discharge time ~.....	: 43 sec
Operating pressure.....	: 14 bar at 20°C	Jet lenght ~.....	: 11 m
Test pressure according 97/23/EC.....	: 30 bar	<b>Dimensions</b>	
Burst pressure.....	: >55 bar	Height ~.....	: 1050 mm
Temperature range.....	: -30°C +60°C	Width ~.....	: 450 mm
Extinguishing agent.....	: Powder MAP ABC 30	Depth ~.....	: 550 mm
Propellant.....	: nitrogen or dry air	Weight ~.....	: 80 kg

**Complete replacement spare parts**

**31302\_1 Including:**

Powder ABC, O-ring, washer rings, safety seal.

The SOLAS Convention Chapter II-2 part C **lays the obligation** of the provision of replacement spare change for the 100% for the first 10 extinguishers installed, while the remaining fire extinguishers are needed the 50% of the replacement spare. The maximum quantity of refills shown are 60.



**Spare part list**

Pos.	Description	Code	Q.ty
1	Cylinder (54 lt) <b>on request Stainless steel</b>	27804	1
2	Lever valve brass	21820	1
3	Siphon tube PVC	21715	1
4	Manometer M10x1 Ø 27 mm brass	21521	1
5	Turning valve brass 3/4"	66030	1
6	Discharge horn	21038	1
7	Safety device (in 3 pieces)	21083	1
8	Discharge hose L 5 mt	20649	1
	<b>On request hose L 10 mt</b>	20649_1	
9	Wheel Ø 300 mm	21931	2
10	Powder ABC MAP 30%	31230	50
11	Cap for protection foot cylinder	28072	2
12	Washer ring fibre 3/4" - 15,2x24x2	20021	1
13	Safety pin	21089	1

**Detachable frame**  
 No welding on the cylinder ensure better and higher safety.

**Welded frame.**  
 The axe and carrying handle are welded on the cylinder body.



The family 14164 include more than one type of version.  
**14164\_1** - Detachable frame  
**In accordance** with the Directive 96/98/EC by the SOLAS 74 convention, resolutions and circulars of the IMO, EN 1866-1:2007 on the Annex A.1/3.52 Directive 2008/67/CE of the certificate and Notified by CSI SpA - No 0497.

The use of non original spare parts may cause malfunctions loss

**Maintenance and Guarantee**

Maintenance must be made periodically by, trained and certified staff, according to the local regulations of the country where it is located. The extinguisher is guaranteed for 12 months from the date of the supply. The guarantee includes, repairing or replacement, as manufacturer option. Unit must be sent back to the factory free of charge, only when authorized written agreement with our sales office has been reached. The guarantee expires in case of tampering and bad maintenance made by not-authorized staff, or transport damages. It must be recharged only by staff authorized and certified by **a.b.s. S.r.l.**, use only genuine original spare parts.



# 14181 Powder Wheeled Fire Extinguisher kg 100

Approved EN 1866-1:2008, Marina MED, highest rate achieved - A IVB C



CSI Certificate  
MED/0497/132/09



Organic solid materials,  
wood rubber, textiles etc.



Flammable liquids,  
gasoline, oil etc.



Flammable gases,  
methane, propane.

### According directive 96/98/EC, EN 1866 and with CE-mark

The wheeled fire extinguisher is manufactured according to Directive 96/98/EC (MED) with modules B and D. As with portable extinguishers, wheeled units also have to comply with high standards to ensure their extinguishing capability (fire rating), quality and reliability. We at a.b.s. know how important it is to make the right choice in fire fighting. Recently, a new European standard for wheeled extinguishers, EN 1866, was introduced. The a.b.s. wheeled extinguisher range, has been the first in Europe to comply with this standard. The wheeled units also carry the CE mark so the range can boast three quality guarantees :a.b.s. (ISO 9001), compliance with EN 1866 and the CE mark. The standard EN1866 defines important minimum levels of pressure retention, corrosion protection, operating temperatures and fire rating.

### Technical Characteristics

Wheeled extinguisher is designed for professional use under severe circumstances, resulting in a high level of quality and ease of use. The cylinder, CE marked, it has the welded frame or detachable frame. Ease of mobility is achieved as a result of the large wheels with solid rubber tyres and push bar also ensuring good stability during operation.

### 2" Lever valve

The valve is made in brass (STCW617N) and it passed all the requirements of the directive 97/23/EC. There is a safety device at 22 bar. There is a green safety seal to improve the optical check from far. Only a simple glance is enough to check if the extinguisher has been tampered.

### Pressure gauge

Pressure gauge is brass galvanized the thread is M10x1 with o-ring for easy unscrew to check the real internal pressure any time without need of tools. If the indicator is in the green field, the extinguisher is ready to be used. If the indicator is in the red field, call immediately the authorized service staff.

### Discharge device

Equipped with a highly flexible hose made in EPDM rubber with an excellent resistance manufactured from selected synthetic materials complete with a pistol. The specially designed ergonomic patented pistol ensures a steady flow of powder with a very low drop in pressure.

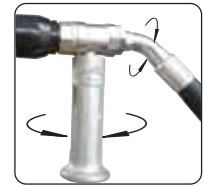
### Extinguishing agent

Dry chemical powder German is produced according to EN 615 and ISO 9000 quality control. The basic components of dry powder are ammonium phosphate and ammonium sulphate with special silicone additives enabling easy discharge and avoiding any caking process. Dry powder is non-corrosive, non-abrasive, and is non toxic for humans and animals.



Permanent stored pressure

**Swivel coupling**  
It allows easy unrolling of the hose avoiding twisting



**ON REQUEST**

Cod. 21038\_2

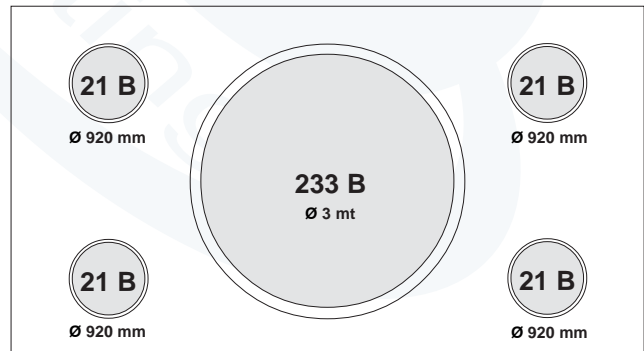


### Advantages

- Very mobile and easy to operate
- Excellent quality, therefore a long operational lifetime
- Good ergonomoy, easy to drive
- Extremely high ratings on A, B and C class fires (solid combustibles, liquid fuels and gases)
- Can be used at low temperatures (-30°C)
- Easy to service
- First in Europe in accordance with the new EN 1866 standards
- With CE approval
- Other dry powder types available (BC, Monnex)

### - Test method and result -

The 233B tray has been used and four 21B trays have been installed alongside, as from the following design.



The propellant used has been heptane. Two fire tests have been performed, with extinction time of respectively 9 and 10 seconds; the test result was positive.

Classification obtained: - **EN 1866 - 233 IV B** - the highest.

**Technical specifications**

Cylinder "Ø".....: **360 mm**  
 Material.....: **DD12 UNI EN 10111**  
 Operating pressure.....: **14 bar at 20°C**  
 Test pressure according 97/23/EC.....: **30 bar**  
 Burst pressure.....: **>55 bar**  
 Temperature range.....: **-30°C +60°C**  
 Extinguishing agent.....: **Powder MAP ABC 30**  
 Propellant.....: **nitrogen or dry air**

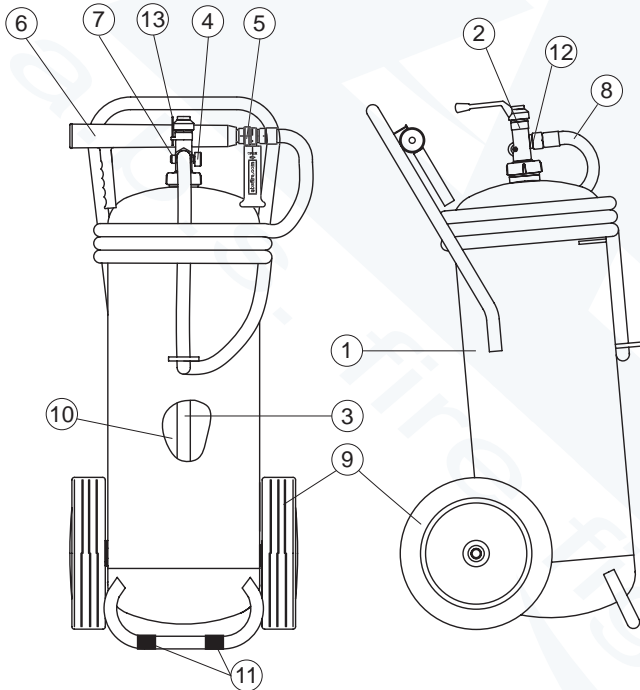
Nominal charge.....: **100 Kg**  
 Discharge time ~.....: **99 sec**  
 Jet lenght ~.....: **12 m**  
**Dimensions**  
 Height ~.....: **1290 mm**  
 Width ~.....: **540 mm**  
 Depth ~.....: **700 mm**  
 Weight ~.....: **140 kg**

**Complete replacement spare parts**

**31302\_6 Including:**

Powder ABC, O-ring, washer rings, safety seal.

The SOLAS Convention Chapter II-2 part C **lays the obligation** of the provision of replacement spare change for the 100% for the first 10 extinguishers installed, while the remaining fire extinguishers are needed the 50% of the replacement spare. The maximum quantity of refills shown are 60.



**Spare part list**

Pos.	Description	Code	Q.ty
1	Cylinder (101 lt) <b>on request Stainless steel</b>	27002	1
2	Lever valve brass	21820	1
3	Siphon tube PVC	21708	1
4	Manometer M10x1 Ø 27 mm brass	21521	1
5	Turning valve brass 3/4"	66030	1
6	Discharge horn	21038	1
7	Safety device (in 3 pieces)	21083	1
8	Discharge hose L 5 mt <b>On request hose L 10 mt</b>	20649 20649_1	1
9	Wheel Ø 300 mm	21931	2
10	Powder ABC MAP 30%	31230	100
11	Cap for protection foot cylinder	28073	2
12	Washer ring fibre 3/4" - 15,2x24x2	20021	1
13	Safety pin	21089	1

**Detachable frame**

No welding on the cylinder ensure better and higher safety.



**Welded frame.**

The axe and carrying handle are welded on the cylinder body.



The family **14181** include more than one type of version.  
**14181\_1** - Detachable frame  
**In accordance** with the Directive 96/98/EC by the SOLAS 74 convention, resolutions and circulars of the IMO, EN 1866-1:2007 on the Annex A.1/3.52 Directive 2008/67/CE of the certificate and Notified by CSI SpA - No 0497.

The use of non original spare parts may cause malfunctions loss

**Maintenance and Guarantee**

Maintenance must be made periodically by, trained and certified staff, according to the local regulations of the country where it is located. The extinguisher is guaranteed for 12 months from the date of the supply. The guarantee includes, repairing or replacement, as manufacturer option. Unit must be sent back to the factory free of charge, only when authorized written agreement with our sales office has been reached. The guarantee expires in case of tampering and bad maintenance made by not-authorized staff, or transport damages. It must be recharged only by staff authorized and certified by **a.b.s. S.r.l.**, use only genuine original spare parts.